

# LD71DR



## Miniature Adjustable Deep Recessed Low Glare LED Downlight

Data sheet - Page 1

LD71DR is a miniature adjustable deep recessed LED downlight with a matt black baffle for low glare applications. With an adjustment of 25°, the LD71DR is ideal for displays, niches or general downlighting effects. The LD71DR is very discreet with the LED set back by 15mm to further reduce the glare & a painted bezel which can be matched to the mounting surface. Utilizing the latest LED technology, the LD71DR achieves a typical CRI of 93 in warm white. IP40 as standard, but can be specified IP54 for bathrooms or wet environments.

### Key Features

- Matt black inner baffle & LED set back 15mm from front of the fitting for reduced glare
- Adjustable with a 25° tilt
- High power for its size
- High efficiency optics specially designed for LightGraphix guarantee excellent beam spread and shape
- Optional IP54 version for wet areas, comes with glass and gasket
- Hidden spring clip fixings
- Simple and fast installation
- Available with Switch, 0-10V, DMX, DALI or mains dimmable drivers

### Specification

#### Applications



Beam Angles	12°, 31°, 45°					
LED type	1 x Cree XPG2					
Colour temperature	2700K** / 3000K			5000K		
Drive Current (mA)	350	500	700	350	500	700
LED power* (W)	1.2W	1.7W	2.4W	1.2W	1.7W	2.4W
CRI (typical)	93	93	93	75	75	75
Forward voltage (V) <sub>100</sub>	3.0V	3.2V	3.4V	3.0V	3.2V	3.4V
Delivered lumens** (L <sub>100</sub> )	102	139	178	138	168	215
Lumens per circuit watt	85	82	74	115	99	90

LED lifetime (to 70% lumen maintenance) 50,000hrs at a max ambient temperature of 35°C (if specifying fitting in ambient temperatures of up to 45°C run at 500mA max, LD71DR-500)

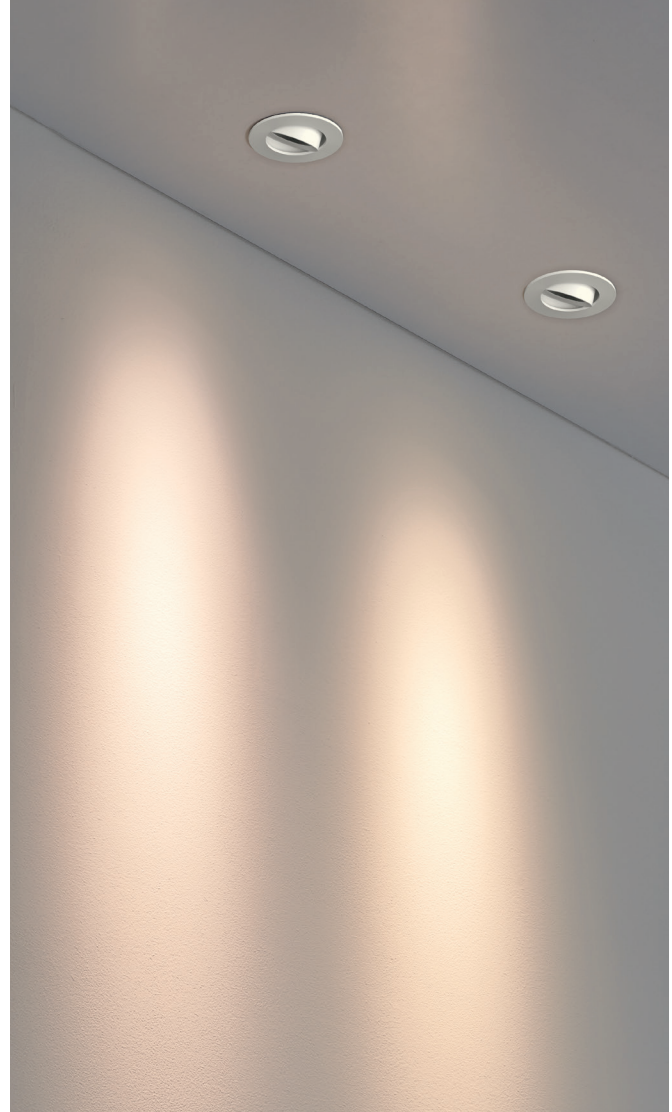
Materials Anodised & painted aluminium body, bezel  
 Glass 1.2mm thick borosilicate (IP54 version only)  
 Wiring Comes pre-wired with 2x 200mm single core lead, can be specified with up to 3m of single core cable at extra cost

IP rating IP40 standard (optional IP54)

\*LED wattage includes losses associated with using an 85% efficient driver

\*\* 2700K lumen output is 12% lower than the 3000K figure listed

4000K lumen output is 14% higher than the 3000K figure listed (80 CRI)



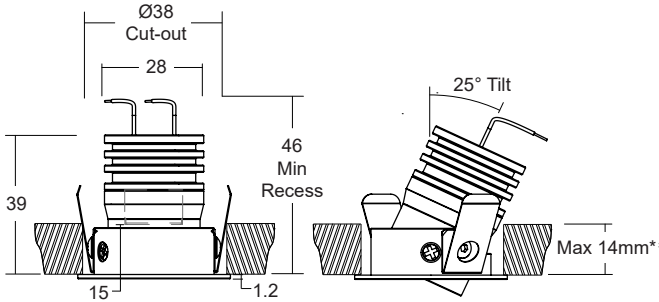
## LD71DR

Miniature Adjustable Deep Recessed Low Glare LED Downlight

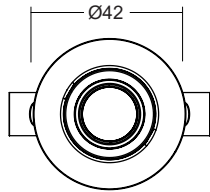
Data sheet - Page 2



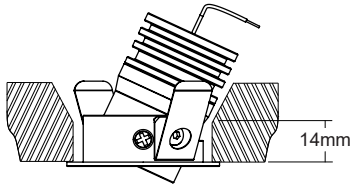
## Dimensions and Fixing Options



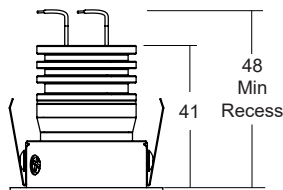
LED and optic position recessed by 15mm for reduced glare.



\*For mounting surfaces over 14mm, use the detail below to allow for full fitting adjustment



IP54 rated version includes a glass front and a gasket that sits between the heat-sink and the bezel



## Photometrics

Photometric files are included in the design pack which can be downloaded from the LD71DR product page on the website.

## Order Codes and Options

Product code	LED colour	Beam angle	IP Rating	Finish
LD71DR	- 350 - 500 - 700			

Example: LD71DR-700 / LW30 / NB / IP54 / White

## Product codes with output options

1.2W LED at 350mA	LD71DR-350
1.7W LED at 500mA	LD71DR-500
2.4W LED at 700mA	LD71DR-700

## LED colour options

LED colour options	Suffix
Super Warm White (2200K)	/LW22
Extra Warm White (2700K)	/LW27
Warm White (3000K)	/LW30
White (4000K) - on request	/LW40
Cool White (5000K)	/LW50
Blue	/LB
Green	/LG
Red	/LR
Amber	/LA

\*Other LED colour temperatures are available. Please speak to a member of our sales team.

## Beam / lens angle options

12° narrow spot	/NB
31° medium	/MB
45° wide	/WB

## IP Rating

IP40 (dry internal use as standard)	/IP40
IP54	/IP54

## Bezel finish options

Paint finish white / black / RAL  
 Chrome finish (minimum order - please contact us)

## Use with 350mA, 500mA &amp; 700mA constant current LED drivers

We have a wide range of dimmable LED drivers, 0-10V, DMX, DALI and mains dimmable. Please see the downloads section on our website:

To run 1-14 LD71DR-350 in series use a TXDEL350D (0-10V dimmable)

To run 1-14 LD71DR-500 in series use a TXDEL500D (0-10V dimmable)

To run 1-13 LD71DR-700 in series use a TXDEL700D (0-10V dimmable)